

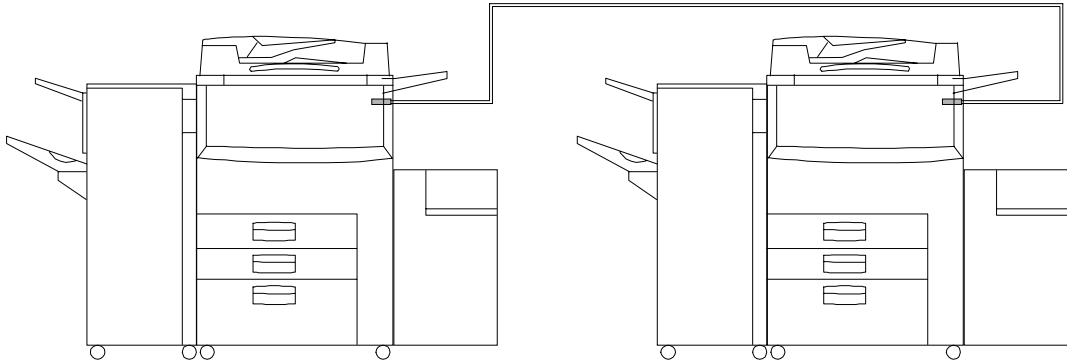
COPIER CONNECTION KIT
(Machine Code: A808)

TABLE OF CONTENTS

1. OVERVIEW.....	A808-1
1.1 FUNCTION LIST.....	A808-2
1.2 SPECIFICATIONS.....	A808-5
2. DETAILED DESCRIPTIONS.....	A808-6
2.1 BASIC OPERATION.....	A808-6
2.1.1 No sort and no staple mode.....	A808-6
2.1.2 Sort, staple mode.....	A808-7
2.1.3 Operation at irregular conditions.....	A808-8
3. INSTALLATION PROCEDURE	A808-9
4. SERVICE TABLES	A808-12
4.1 GENERAL CAUTIONS	A808-12
4.2 SERVICE PROGRAM MODE.....	A808-12
4.3 USER PROGRAM MODE	A808-13
4.3.1 Unique UP	A808-13
4.3.2 UP Mode Table.....	A808-13
System Setting Table.....	A808-13
Copy Features Table	A808-15
5. TROUBLESHOOTING.....	A808-17

1. OVERALL MACHINE INFORMATION

1.1 OVERVIEW



A808V500.WMF

This kit connects two A229 copiers. If the user wishes to have two copiers work on one copy job, the user starts the job on one copier. The copy job will also be made on the other copier.

The copier on which the user pressed the “Connect” key on the display is known as the “**Master Unit**” and the other copier is the “**Slave Unit**”.

Features for the job can only be selected on the **master unit**.

There is no restriction on the two connected copiers and their configurations (65 cpm copier or 55 cpm copier, with finisher or without finisher etc). However, with some combinations, the available functions are limited.

NOTE: The printer and document server functions cannot use the copy connect mode.

1.2 FUNCTION LIST

The following tables shows which functions can use copy connect mode.

○ : Can use ✕ : Cannot use

Item		Comments
■ Paper Selection		
Manual Paper Selection	○	
Auto Paper Selection	○	
By-pass Tray	○	Only for cover and slip sheet modes.
■ Image Adjustment		
Auto Image Density	○	
Manual image density	○	
Original Mode	○	
■ Reduce/Enlarge		
Auto Reduce/Enlarge	○	
Preset Reduce/Enlarge	○	
Zoom	○	
Size Magnification	○	
Directional Magnification	○	
Directional Size Magnification	○	
■ Duplex		
1 sided → 2 sided	○	
2 sided → 2 sided	○	
2 sided → 1 sided	○	
■ Combine		
1 sided 2 pages → Combine 1 side	○	
1 sided 4 pages → Combine 1 side	○	
1 sided 8 pages → Combine 1 side	○	
1 sided 4 pages → Combine 2 side	○	
1 sided 8 pages → Combine 2 side	○	
1 sided 16 pages → Combine 2 side	○	
2 sided 2 pages → Combine 1 side	○	
2 sided 4 pages → Combine 1 side	○	
2 sided 8 pages → Combine 1 side	○	
2 sided 4 pages → Combine 2 side	○	
2 sided 8 pages → Combine 2 side	○	
2 sided 16 pages → Combine 2 Side	○	
■ Book		
Book → 1 sided	✕	
Book → 2 sided	✕	
Multi → 2 sided	✕	
Booklet	✕	
Magazine	✕	
■ Cover / Slip Sheet		
Front Cover	○	
Front / Back Cover	○	

Item		Comments
Designate	X	
Chapters	O	
Slip sheet	O	
■ Edit Image		
Double Copies	X	
Image Repeat	X	
Margin Adjustment	O	
Erase Center	O	
Erase Border	O	
Centering	O	
■ Sort/Stack		
Sort	O	A finisher should be installed on both machines. If there is a finisher on only one machine, the output is sorted but there is no shift-sort or rotate-sort separation.
Rotate Sort	O	Available when there is no finisher on either machine. If there is a finisher on only one machine, the output is sorted but there is no shift-sort or rotate-sort separation.
Stack	O	A finisher must be installed on both machines.
Staple	O	A finisher must be installed on both machines.
Punch	O	A finisher and punch kit must be installed on both machines.
■ Special Original		
Batch (SADF) Mode	O	
Mixed Sizes Mode	O	
Thin Mode	O	
■ Key		
Interrupt	O	Only on the slave unit
Program	O	The master unit programs can be used. If the program contains settings that are not available in "Copy Connect Mode" or the slave unit does not support certain features in the program, they are ignored.
Sample Copy	O	Made only by the master unit.
Number	O	
Clear/Stop	O	
Start	O	



Item		Comments
<p>■ Display</p>		
<p>Number of Copies</p>	<p>○</p>	<p>Master Unit : Displays the total copy number or master unit copy number. Press the display to adjust these settings. Slave Unit : Display the slave unit copy number.</p>
<p>Number of Originals</p>	<p>○</p>	<p>Master unit only</p>
<p>Memory Amount</p>	<p>✕</p>	
<p>■ Others</p>		
<p>Next Job</p>	<p>✕</p>	

1.3 SPECIFICATIONS

Copy Speed:	Max:130 cpm (A4 / 8 ½ " x 11" sideways) (Two 65 cpm machines)
	Max: 120 cpm (A4 / 8 ½ " x 11" sideways) (One 65 cpm machine and one 55 cpm machine)
	Max: 110 cpm (A4 / 8 ½ " x 11" sideways) (Two 55 cpm machines)
Copy Number Input:	1 to 999

2. DETAILED DESCRIPTIONS

2.1 BASIC OPERATION

After pressing the start key, all originals are read and stored on the HDD. At the same time, the data is sent to the slave unit and stored on its HDD.

After reading all originals, the master and slave units will begin printing. The CPU separates the job for both units. So, they finish at about same time.

The way that the copies are fed out depend on the copy mode, as follows.

2.1.1 NO SORT AND NO STAPLE MODE

= Master Unit =

Exit from the copy of the 1st original, face down.

= Slave Unit =

Exit from the copy of the last original, face up.

Example:

Number of originals: 6, 1-sided to 1-sided copy mode, Number of copies: 3

Master Unit	Slave Unit
▼▼▼▼▼ 3rd original – 3rd copy	▲▲▲▲▲ 4th original – 1st copy
▼▼▼▼▼ 3rd original – 2nd copy	▲▲▲▲▲ 4th original – 2nd copy
▼▼▼▼▼ 3rd original – 1st copy	▲▲▲▲▲ 4th original – 3rd copy
▼▼▼▼▼ 2nd original – 3rd copy	▲▲▲▲▲ 5th original – 1st copy
▼▼▼▼▼ 2nd original – 2nd copy	▲▲▲▲▲ 5th original – 2nd copy
▼▼▼▼▼ 2nd original – 1st copy	▲▲▲▲▲ 5th original – 3rd copy
▼▼▼▼▼ 1st original – 3rd copy	▲▲▲▲▲ 6th original – 1st copy
▼▼▼▼▼ 1st original – 2nd copy	▲▲▲▲▲ 6th original – 2nd copy
▼▼▼▼▼ 1st original – 1st copy	▲▲▲▲▲ 6th original – 3rd copy

▼: Face down, ▲: Face up

NOTE: The output quantity on the master and slave units depends on the paper feed tray position, image rotation, and copy speed. If more than two copies are made from an original, sometimes one of the copies (for example, copies of the 4th original) will print on different units (in the above example, the 1st copy of the 4th original may be made on the master instead of the slave).

2.1.2 SORT, STAPLE MODE

The copies exit face down for both units.

Example:

Number of originals: 3, 1-sided to 1-sided copy mode, Number of sets: 6

Master Unit	Slave Unit
▼▼▼▼▼ 3rd set – 3rd copy	▼▼▼▼▼ 6th set – 3rd copy
▼▼▼▼▼ 3rd set – 2nd copy	▼▼▼▼▼ 6th set – 2nd copy
▼▼▼▼▼ 3rd set – 1st copy	▼▼▼▼▼ 6th set – 1st copy
▼▼▼▼▼ 2nd set – 3rd copy	▼▼▼▼▼ 5th set – 3rd copy
▼▼▼▼▼ 2nd set – 2nd copy	▼▼▼▼▼ 5th set – 2nd copy
▼▼▼▼▼ 2nd set – 1st copy	▼▼▼▼▼ 5th set – 1st copy
▼▼▼▼▼ 1st set – 3rd copy	▼▼▼▼▼ 4th set – 3rd copy
▼▼▼▼▼ 1st set – 2nd copy	▼▼▼▼▼ 4th set – 2nd copy
▼▼▼▼▼ 1st set – 1st copy	▼▼▼▼▼ 4th set – 1st copy

▼: Face down

NOTE: The output quantity (sets) made by the master and slave units depends on the paper feed tray position, image rotation, and copy speed. A set of copies will not be divided between the two machines. For example, if paper runs out on one machine, the other machine will continue to work on other sets of copies, but will not complete any unfinished sets for the machine that ran out of paper.

2.1.3 OPERATION IN IRREGULAR CONDITIONS

Paper end during copying

When a machine enters the paper end condition, it stops and “add paper” is displayed. The other machine continues to make copy. The rest of the copy job is transferred to the other machine.

If paper is replenished before the end of the job, the machine will automatically start. If the machine was part of the way through a set of copies, it will finish that set first. Then, if there are any sets still remaining, they will be re-allocated to both machines.

Copy tray full

When copy tray is full, the machine stops and “paper is full” is displayed. If this occurs on the slave unit, it is displayed on the master unit also. The other machine continues with the rest of the job.

If the copies are removed from the copy tray before the end of the job, the machine will automatically start. If the machine was part of the way through a set of copies, it will finish that set first. Then, if there are any sets still remaining, they will be re-allocated to both machines.

Paper jam

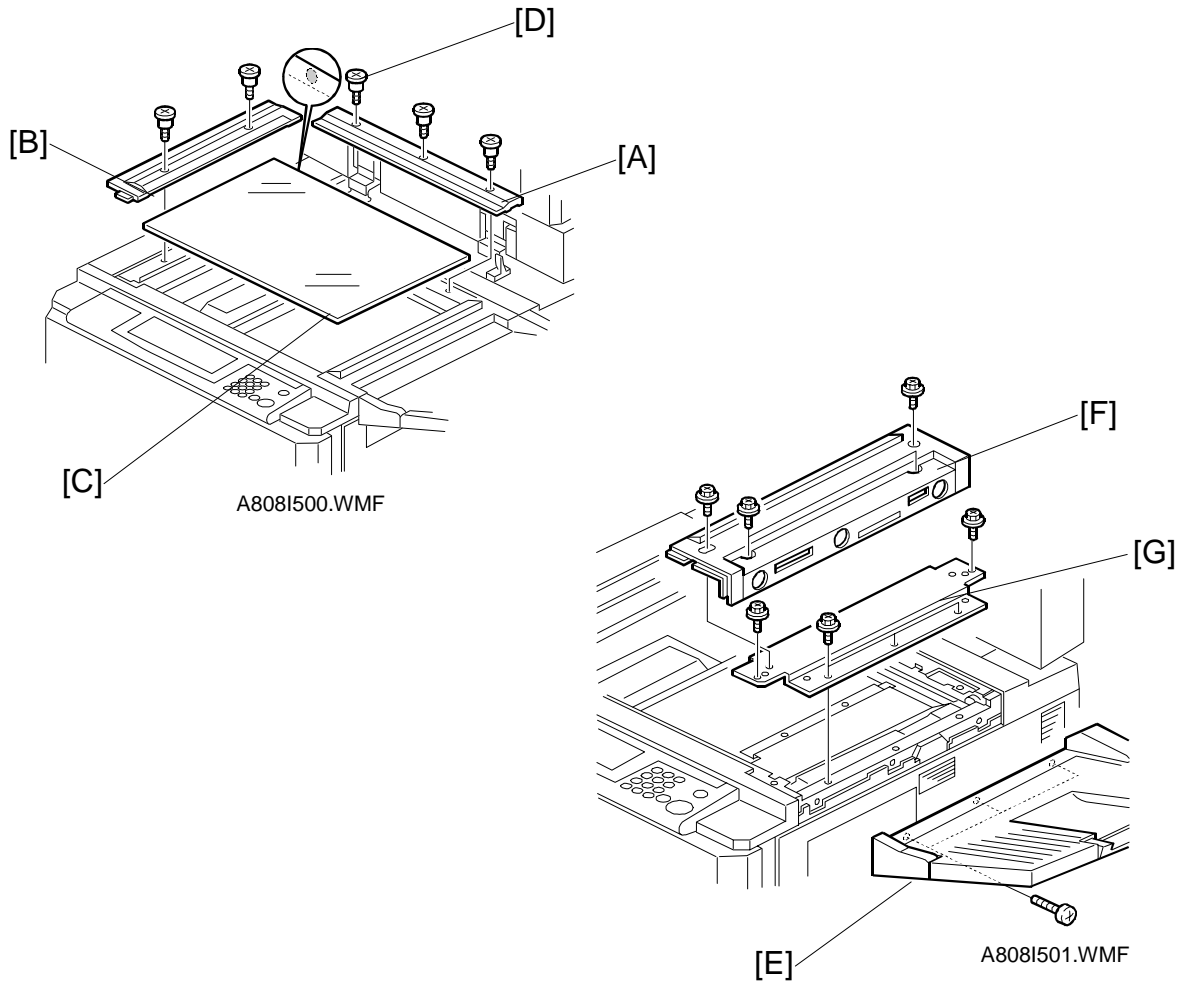
When a paper jam occurs, the following indicators are displayed.

- 1) “Paper jam” is displayed on the master unit.
- 2) The machine having the jam condition is indicated on the master unit.
- 3) The jam position is displayed on the machine which has the paper jam.

When a machine has a paper jam, it stops and the above indicators are displayed. The other machine continues with the rest of the job.

If the jam is removed before the end of the job, the machine will automatically start. If the machine was part of the way through a set of copies, it will finish that set first. Then, if there are any sets still remaining, they will be re-allocated to both machines.

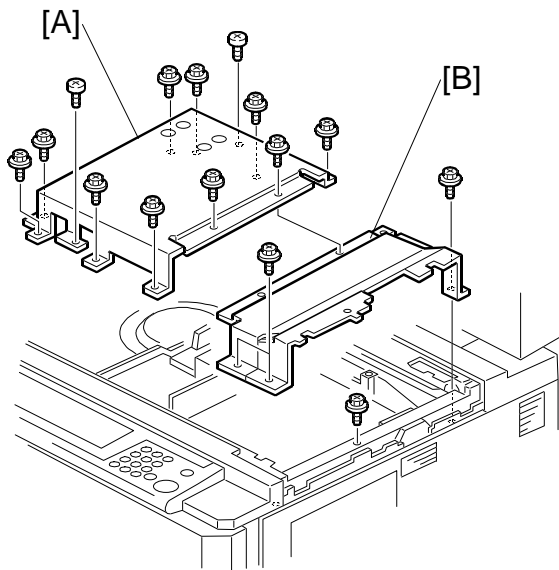
3. INSTALLATION PROCEDURE



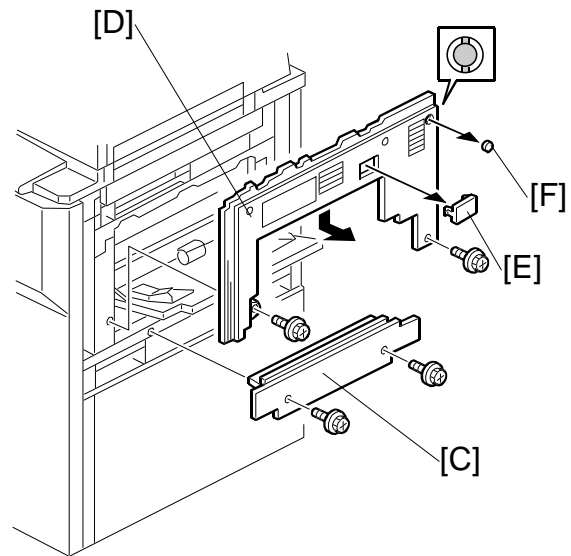
⚠ CAUTION

Unplug the machine power cord before starting the following procedure.

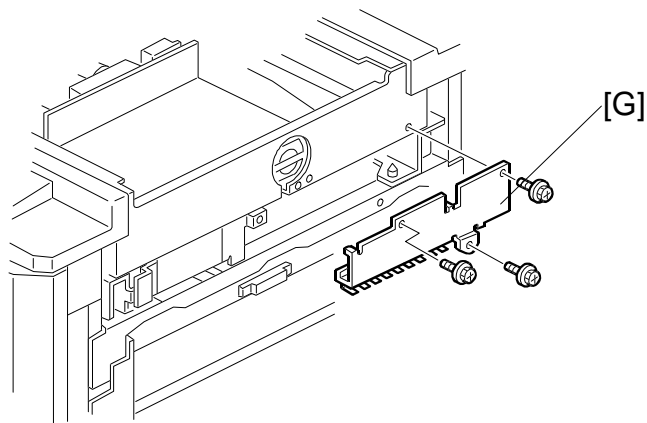
1. Open the DF.
2. Remove the rear scale [A] (3screws).
3. Remove the left scale [B] (2 screws).
4. Remove the exposure glass [C].
NOTE: When reinstalling the exposure glass, make sure that the mark [D] is positioned at the rear left corner as shown.
5. Remove the original exit tray [E] (3 screws).
6. Remove the upper right cover [F] (4 screws).
7. Remove the right stay [G] (5 screws).



A8081503.WMF

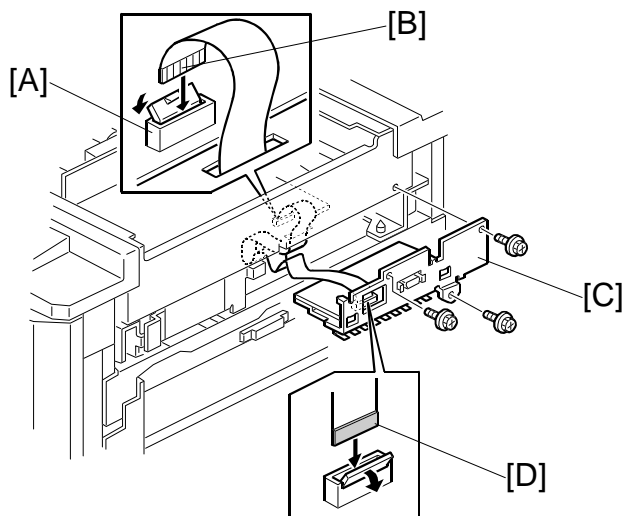


A8081502.WMF

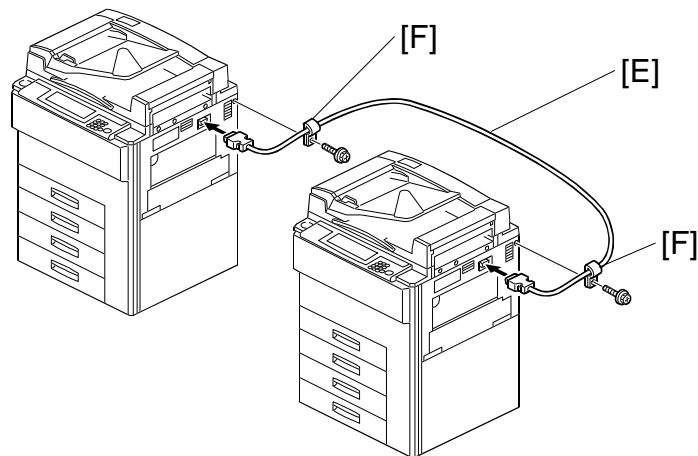


A8081504.WMF

8. Remove the lens cover [A] (12 screws).
9. Remove the right inner cover [B] (4 screws).
10. Remove the paper feed cover [C] (2 screws).
11. Remove the upper right cover [D] (2 screws).
12. Remove the connector cover [E] from the upper right cover.
13. Cut away the screw hole cover [F] from the upper right cover
14. Remove the connecting plate [G] (3 screws).



A808I506.WMF



A808I505.WMF

15. Connect the cable to the SBICU board connector [A].
NOTE: The terminal [B] should be to the right (as viewed from the front of the machine).
16. Connect the cable to the copy connection board [C].
NOTE: The terminal supporter [D] should be to the right (as viewed from the front of the machine).
17. Install the copy connection board (3 screws).
18. Reassemble the machine.
19. Install the other copy connection board in the other machine using the same procedure (steps 1 to 18).
20. Connect the two machines with a cable [E] and hold it with a clamp [F] (1 screw) on each machine.
21. Check the operation.
NOTE: Both machines should have the same program version.

4. SERVICE TABLES

4.1 GENERAL CAUTIONS

1. When downloading firmware to one of the machines, turn the other machine off.
2. Both copiers should have the same program version.
3. When removing the interface cable, turn off the power for both copiers.

4.2 SERVICE PROGRAM MODE

For all SP modes except SP5-104 (A3/DLT Double Count), the machines use their own settings.

The master and slave units use the setting of the master unit for SP5-104.

There is one new SP mode.

Mode No. (Class 1,2,3)	Function	Setting
6-801	Communication Test	
	Makes a communication test between the main and sub unit	Start

4.3 USER PROGRAM MODE

4.3.1 UNIQUE UP MODES

The following UP mode is added for the connect copy function in the “Count Manager” of “Copy Features”.

Name:

Connect Copy

Function:

This program selects whether the “Copy Connect” key is displayed or not.

If “No” is selected, the “Copy Connect” key is not displayed. Therefore, this machine will be the slave unit.

Default:

Yes

4.3.2 UP MODE TABLE

The details of the relationship between each UP mode in the master and slave units are explained in the operating instructions.

System Setting Table

○ : Use Own Setting ← : Use Master Unit Setting - No Relation

Tab	Item	Master Unit	Slave Unit
Basic 1	Operation Panel Beeper	○	○
	Ready Operation Panel Beeper	○	○
	Copy Count Display	-	-
	Auto Response (Human) Sensor	○	OFF
	Auto Tray Switching	○	○
	Auto Off Timer	○	-
	Low Power Shift Time	-	-
	Low Power Timer	-	-
	ADF Original Ejection	○	-
	<F/F4> Size Setting	○	○
Basic 2	Function Priority	-	-
	System Reset	-	-
	Output Priority	-	-
	Function Reset Timer	-	-
	Copy: Output Tray	○	○
	Document Server: Output Tray	-	-
	Printer: Output Tray	-	-
Interleave Print	-	-	

Options

Tab	Item	Master Unit	Slave Unit
Set Time	Set Date	○	○
	Set Time	○	○
	Weekly Timer : Monday	○	-
	Weekly Timer : Tuesday	○	-
	Weekly Timer : Wednesday	○	-
	Weekly Timer : Thursday	○	-
	Weekly Timer : Friday	○	-
	Weekly Timer : Saturday	○	-
	Weekly Timer : Sunday	○	-
	Key Operator Code for Off Setting	-	-
Paper Size Setting	Tray 1 Paper Size Setting	○	○
	Tray 2 Paper Size Setting	○	○
	Tray 3 Paper Size Setting	○	○
	By-pass Tray : Special Paper Indication	○	○
	Tray 1 : Special Paper Indication	○	○
	Tray 2 : Special Paper Indication	○	○
	Tray 3 : Special Paper Indication	○	○
	LCT : Special Paper Indication	○	○
Counter Manager	Set User Codes	○	-
	Key Counter	○	-
	Key Operator Code	-	-
	Memory Allocation	○	○
	AOF (Keep it on)	-	-

Copy Feature Table

○ : Use Own Setting ← : Use Master Unit Setting - No Relation

Tab	Item	Master Unit	Slave Unit
General Features 1/3	Auto Paper Select Priority	○	-
	Auto Paper Select Tray Display	○	-
	Auto Image Density Priority	○	-
	Original Mode Priority	○	-
	Original Mode Display	○	-
	Original Mode Quality Level	○	○
	Original Image Density Level	○	○
	Auto Reset Timer	○	-
	Paper Tray Priority	○	○
	Shortcut R/E	○	-
	R/E Priority	○	-
General Features 2/3	Duplex Mode Priority	○	-
	Copy Orientation in Duplex Mode	○	-
	Original Orientation in Duplex Mode	○	-
	Book Duplex	○	-
	Initial Mode	○	-
	Maximum Copy Quantity	○	-
	Original Beeper	○	-
General Features 3/3	Shrink & Center Ratio	○	-
	Shortcut : F1	○	-
	Shortcut : F2	○	-
	Shortcut : F3	○	-
	Shortcut : F4	○	-
	Job End Call	○	○
Reproduction Ratio 1/2	Enlarge 1	○	-
	Enlarge 2	○	-
	Enlarge 3	○	-
	Enlarge 4	○	-
	Enlarge 5	○	-
	Priority Setting : Enlarge	○	-
Reproduction Ratio 2/2	Reduce 1	○	-
	Reduce 2	○	-
	Reduce 3	○	-
	Reduce 4	○	-
	Reduce 5	○	-
	Reduce 6	○	-
	Priority Setting : Reduce	○	-
Page Format 1/2	Cover Mode	○	-
	Copy Back Cover	○	-
	Front Margin : Left/Right	○	←
	Back Margin : Left Right	○	←
	Front Margin : Top/Bottom	○	←
	Back Margin : Top/Bottom	○	←
	1→2 Duplex Auto Margin Adjust	○	←
	Ease Border	○	←
	Combine Original Shadow Erase	○	←

Options

Tab	Item	Master Unit	Slave Unit
Page Format 2/2	Erase Center	○	←
	Repeat Separation Line	-	-
	Double Copies Separation Line	-	-
	Combine Separation Line	○	←
	Booklet/Magazine Original Orientation	-	-
Input Output	Individual Input / Output Operation	○	-
	Next Job Scan Start	-	-
	Batch (SADF) Auto Reset Time	○	-
	ADRF Original Table Rise Time	○	-
	Platen Mode Exit	-	-
	Duplex : Auto Eject	○	←
	Combine : Auto Eject	○	←
	Rotate Sort Auto Paper Continue	○	○
	Auto Sort Mode	○	-
	Memory Full Auto Scan Restart	○	←
Count Manager	Check/Rest/Print Copy Counter	-	-
	User Code Register/Change/Delete	-	-
	Face-Up/Down Selection in By-pass Mode	-	-

5. TROUBLESHOOTING

Turning the main power switch off and on can reset the following SCs.

NOTE: If the problem concerns electrical circuit boards, first disconnect then reconnect the connectors before replacing the PCBs.

SC363: Data Transmission Error

- Definition -

A data transmission error occurred at the ASIC which controls data transmission and compression during connecting mode.

- Possible cause -

- Defective connection board
- Defective or disconnected interface cable
- Defective SBICU

SC364: Data Transmission Time-out Error

- Definition -

Data transmission to the memory does not finish properly within 20 seconds after the start of data transmission.

- Possible cause -

- Defective connection board
- Defective or disconnected interface cable
- Defective SBICU

SC365: CRC Error

- Definition -

Electrical noise causes sent data and received data to differ. A CRC check can detect this error.

- Possible cause -

- Defective connection board
- Defective or disconnected interface cable